

# Features and Benefits

**ANTRONIX®**

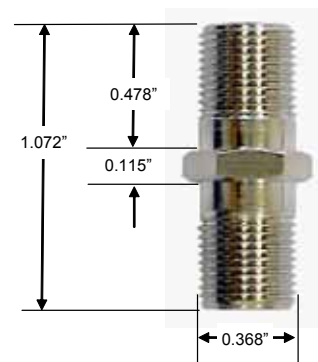
## F-Splice F81B Series

Antronix's high performance F-splice is made of high quality machined brass and nickel plated to resist corrosion. This F-splice operates to 1.0 GHz for use in CATV applications.

### Specifications

| Electrical      |                |              |              |              |
|-----------------|----------------|--------------|--------------|--------------|
| Frequency (MHz) | Insertion Loss |              | Return Loss  |              |
|                 | Maximum (dB)   | Typical (dB) | Minimum (dB) | Typical (dB) |
| 5-15            | 0.10           | 0.01         | 40           | 50           |
| 15-40           | 0.10           | 0.01         | 40           | 45           |
| 40-200          | 0.10           | 0.01         | 35           | 40           |
| 200-550         | 0.10           | 0.03         | 28           | 35           |
| 550-750         | 0.10           | 0.03         | 25           | 30           |
| 750-1002        | 0.10           | 0.05         | 25           | 28           |

| General               |   |
|-----------------------|---|
| Nominal Impedance     | 75 $\Omega$                                       |
| F-Connector Type      | ANSI/SCTE 01 (formerly SCTE IPS-SP-400) Compliant |
| Surge Withstand       | 6 kV Combination Wave (IEEE C62.41-1991 Cat. B3)  |
| Flatness              | +/- 0.05 dB                                       |
| Environmental         |   |
| Operating Temperature | -40 °C to +60 °C                                  |
| RFI                   | >100 dB   |
| Salt Spray            | ASTM B117-03                                      |



Specifications subject to change without notice